



## COPYRIGHT AND TRADEMARKS

All copyright and other intellectual property rights in the information contained in this website (including but not limited to text, images, and software) are owned by Hapro International bv. Persons, accessing this website are permitted to download extracts of this website. But in all cases only for personal, informational and non-commercial purposes. No reproduction may be sold or distributed for commercial gain nor be modified or incorporated in any other work, publication or website. No other rights or licenses are assigned or shall otherwise pass to persons accessing this website. All trademarks are emblems displayed on this website are owned or used under license by Hapro International bv.

## COPYRIGHT AND TRADEMARKS

De bestanden op [www.hapro.com](http://www.hapro.com) mogen vrij gedownload worden mits aan de volgende voorwaarden wordt voldaan. Alle gegevens mogen enkel voor eigen gebruik worden toegepast. Het materiaal mag op generlei wijze aan derden worden verstrekt of openbaar worden gemaakt. Zonder uitdrukkelijke toestemming van Hapro mogen bestanden, logo's, beeldmateriaal of delen daarvan niet worden hergebruikt. Met het downloaden van materiaal van [www.hapro.com](http://www.hapro.com) verklaart de gebruiker met deze voorwaarden in te stemmen. Hapro behoudt zich het recht voor om schenders van het auteursrecht te vervolgen.

## COPYRIGHT UND WARENZEICHEN

Sämtliche Inhalte dieser Webseite (Texte, Bilder und Software) sind Eigentum von Hapro International bv. und urheberrechtlich geschützt. Ausschließlich zur persönlichen Nutzung (private, persönliche, informelle Zwecke) dürfen Inhalte dieser Webseite heruntergeladen werden. Jegliche gewerbliche Nutzung von heruntergeladenen Inhalten dieser Webseite ist jedoch untersagt. Inhalte dürfen weder verkauft noch zu gewerblichen Zwecken verbreitet werden und nicht in andere Veröffentlichungen oder Internetseiten übernommen werden, auch nicht in veränderter Form. Außerhalb der eingeräumten Nutzungsrechte werden dem Nutzer keine weiteren Rechte eingeräumt. Alle auf dieser Webseite gezeigten Warenzeichen sind Eigentum von Hapro International bv. oder werden von Hapro International bv. mit Lizenz verwendet. Durch den Download bei [www.hapro.com](http://www.hapro.com) erklärt sich der Nutzer dieser Webseite mit diesen Bedingungen einverstanden. Hapro behält es sich vor, Verletzungen des Urheberrechts zu verfolgen.



IT'S YOUR BODY  
*Luxura*  
by Hapro

X  
10

L

U

XUVO

The first impression.

X<sub>10</sub>







X<sub>10</sub>



## Beauty, lustre, elegance.

Stylistic forms beyond any description. The Luxura X<sub>10</sub> in Pearl White is a visual display of fireworks. Light is reflected from the lustrous surfaces of chromium, acrylic and the shining paintwork.

Shimmering, subtle shades of champagne and white-gold, emphasise the soft curves and expressive sides of this top-class product, turning it into one of the most striking pieces of tanning equipment ever.



Pearl White





Luxura

X  
10

X  
10

Arctic Blue



## Exciting appearance.

Confident, cool design - a combination of powerful elegance and timeless novelty. A sensational interplay of lines, an unique front, and characteristic forms turn the exciting Arctic Blue appearance into a whole new experience.

There's no doubt about it - here stands pure success.

**X**  
**10**





## Pure seduction.

The Crystal White Luxura X<sub>10</sub> perfectly embodies the latest lifestyle trends. Pure compositions are created in the materials and surfaces of the tranquil elements. In face or in profile - the X<sub>10</sub> is an optical highlight with great appeal and a charming personality.

X<sub>10</sub>





*Luxura*

X<sub>10</sub>



Crystal White

Get in touch.







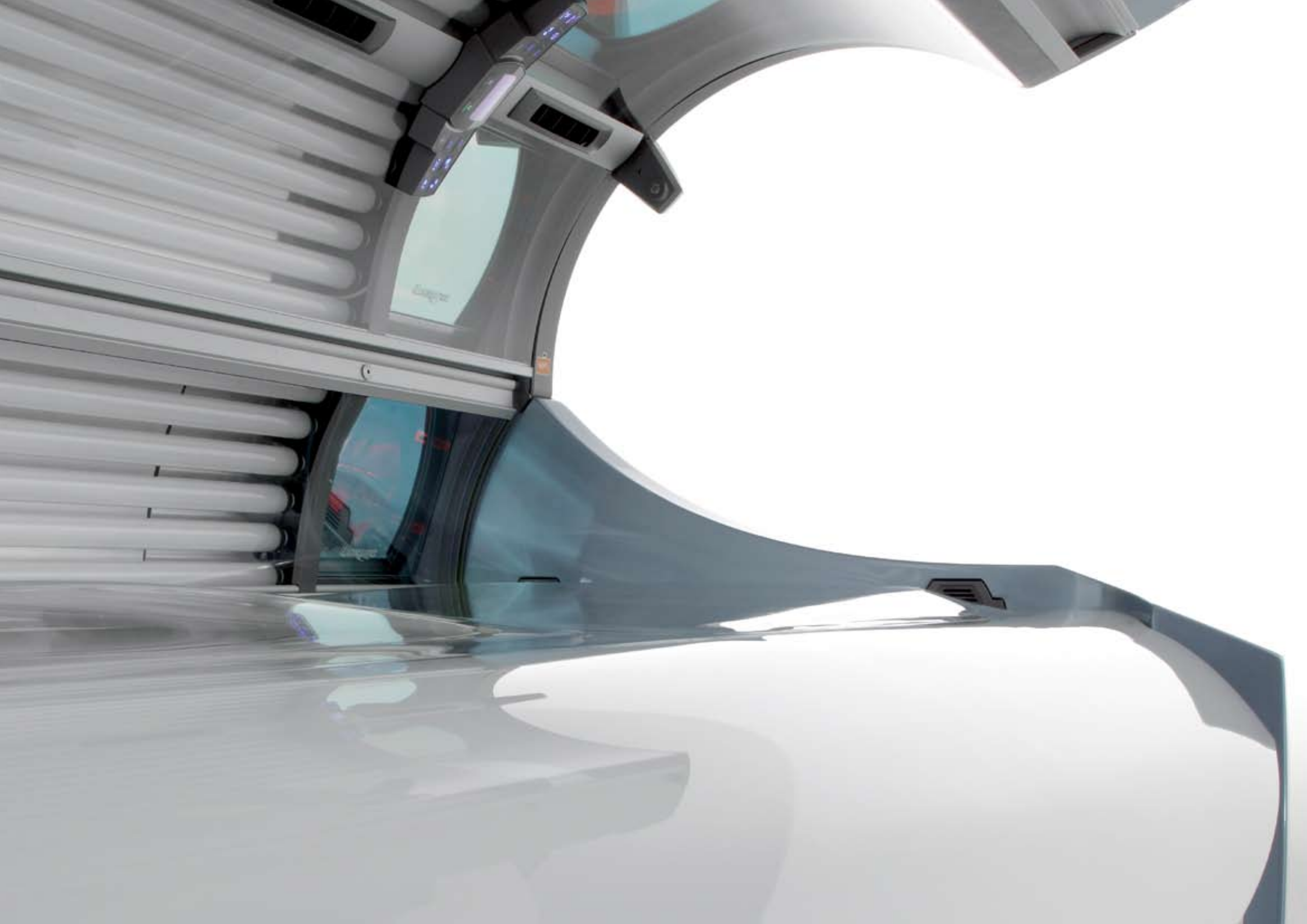


## If only eyes could touch...

With Luxura X<sub>10</sub>, they can. Even in stand-by mode, the X<sub>10</sub> is ready to roar. Its acrylic dome contrasts colourfully with the DecoLight, which emanates seductively from the tanning tunnel and sensually flows across the delightfully formed footboard of the premium product. A luminous aura encircles the X<sub>10</sub> like a glimpse of pure luxury and stored energy.

**X**  
**10**





# Soul and body are touched.

The body is the greatest challenge. Prepare yourself for your first bodily contact with the X<sub>10</sub>. The curved instep is inviting you to slowly descend upon the finely shaped reclining surface. Thanks to ContourPlus, the high-quality acrylic sheet presents your body with an ergonomically shaped reclining surface, offering you the ultimate relaxing experience.



Feel the comfort of the ergonomically formed surface, which follows the body shape.



Activate.

X<sub>10</sub>





The varied control options in the X<sub>10</sub>, with their innovative monitoring system, are operated in the display with the greatest of ease. Child's play, even for new Luxura users. The menu-driven options are displayed in a logical, intuitive way, allowing easy adjustment of the highly technological systems and an easy start of the tanning session.

With which intervals will Qsens spray during the tanning session? Will Xsens automatically switch on when you activate the sunbed? By means of these concealed buttons, Hapro enables the studio owner to programme these functions according to its requirements.



The Luxura air-conditioning system ensures a pleasant temperature as you lie back on the ergonomically shaped reclining surface. A wonderful refreshing breeze - adjustable at different levels - gently touches body and face.



Naturally refreshing. A wonderful, gentle mist is sprayed across the body at intervals. Like the spumescent breeze on a tropical beach.

Body cooler

The cooling breeze across the body is selected using these buttons. The body cooler can be adjusted to eight different levels.

Face cooler

The face reacts differently to heat than the rest of the body. That's why a refreshing breeze across the face and neck can be separately selected from the rest of the body - at eight different levels as well.

The intensity of the different functions - such as the body cooler, the face cooler, the sound volume and the facial tanner - can be easily adjusted by means of the '+' and '-' buttons.





With which intervals will Qsens spray during the tanning session? Will Xsens automatically switch on when you activate the sunbed? By means of these concealed buttons, Hapro enables the studio owner to programme these functions according to its requirements.



Wellness tanning for all the senses. Whenever a pleasant atmosphere in the tanning tunnel is desired, Xsens will distribute a wonderful scent (Citrus, Ocean or Exotic) throughout the interior of the Luxura. It's like a breath of fresh air.



This facial tanner, with a single socket mounting, has a specially developed tanner-reflector combination, which ensures first-class tanning results.



A friendly voice will guide the user acoustically through the different functions. It will describe all possibilities, turning the tanning session into a veritable miniature holiday.



Pump up the volume. Via the four LED-illuminated, integrated loudspeakers and a subwoofer in the base, the Luxura will turn any type of music from up to four different music channels into a fabulous sound show.



In addition to the four optional music channels from the SoundAround package, the user may plug in his own MP3 player, in order to enjoy his own favourite sounds.

The intensity of the different functions - such as the body cooler, the face cooler, the sound volume and the facial tanner - can be easily adjusted by means of the '+' and '-' buttons.

Display

By means of the central display screen, you are visually guided through the selected functions.



# X<sub>10</sub>



## Heartbeats and hard beats.

The Luxura X<sub>10</sub> brings you the pure sound of the sun. Through the SoundAround system, the tanning tunnel is turned into a veritable concert hall. The four loudspeakers, which are stylistically integrated with DecoLight effects, ensure a multi-dimensional musical experience in combination with the subwoofer in the base. Choose from four different music channels or use the My MP3 option and enjoy your own favourite musical mix during the tanning session. That's sunny entertainment for you!



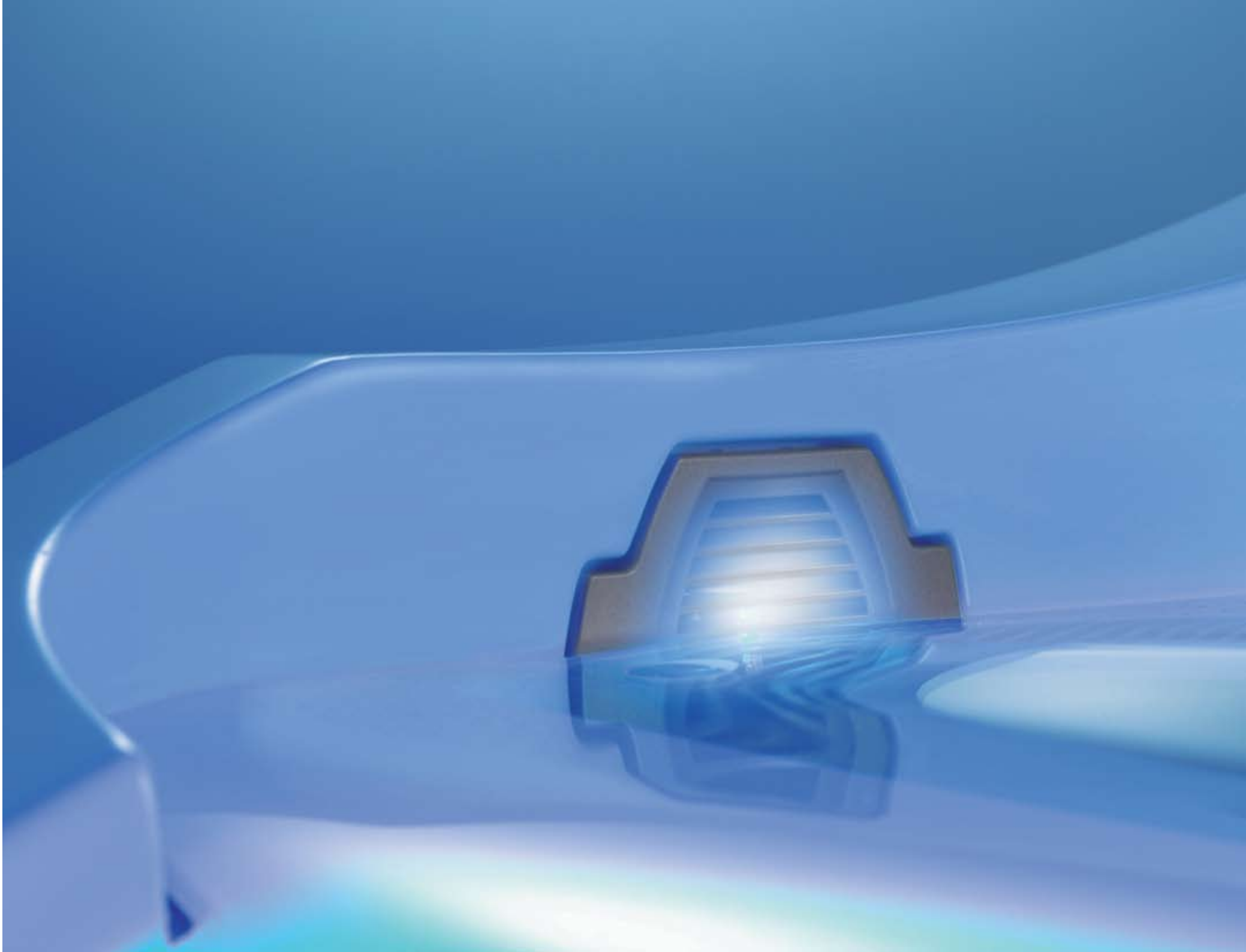
The attractive lighting concept with integrated DecoLight provides an extra sense of wellbeing during the tanning session. And the sunbed will look appealing at all times - even in stand-by mode.



The four integrated speakers and the subwoofer ensure a multi dimensional sound experience.



In addition to the four optional music channels from the SoundAround package, the user may plug in his own MP3 player, in order to enjoy his own favourite sounds.







## Air's three dimensions.

From a gentle breeze to a wonderful cooling sensation. From an exotic wellness scent to a gust of refreshing, spumescient sea air. Or what do you think of a gentle spray mist across your skin? The Luxura X<sub>10</sub> knows what you want. Xsens, Qsens or CliMax - you decide upon your own wellness programme. Wellness tanning has a name: it's called Luxura X<sub>10</sub>.

X<sub>10</sub>





Wellness tanning for all the senses. Whenever a pleasant atmosphere in the tanning tunnel is desired, Xsens will distribute a wonderful scent (Citrus, Ocean or Exotic) throughout the interior of the Luxura. It's like a breath of fresh air.



The Luxura air-conditioning system ensures a wonderful refreshing breeze - adjustable at different levels - which gently touches body and face and ensures a perfect temperature in the tanning tunnel.



Naturally refreshing. A wonderful, gentle mist is sprayed across the body at intervals. Like the spumescent breeze on a tropical beach.

Experience.

X  
10









SLi

SLi +

SLi + with HPS

X<sub>10</sub>

## How many carats of light do you want?

The clear elegance of the SLi version? Or would you rather prefer the brilliance of a cut diamond, as in the SLi + version? Both independently operated versions can be further embellished with the High Power System - mirror filter (HPS) - for even better optics, an even higher efficiency, and an even more powerful, more direct tanning performance.

Seamlessly integrated in the tanning tunnel - both concerning material and design - are the facial tanners. Perfectly matched to the body, with accurately positioned tubes. With its sophisticated lighting concept, DecoLight turns the X<sub>10</sub> into an exclusive work of art.



High Power System with mirror filter: a special filter for the SLi facial tanner. For more efficiency, direct pigmentation, and a visual mirror effect.



This facial tanner, with a single socket mounting, has a specially developed tanner-reflector combination, which ensures first-class tanning results.





The XL tubes, which have a length of two metres, ensure an even, all-over tan.



# The forms of light.

X<sub>10</sub>

With its choice of 46 or 52 tubes, the Luxura X<sub>10</sub> impressively demonstrates its market position. Because of the use of tubes with a length of two metres in the base, a passive shoulder tanner is no longer needed. The two-metre tubes ensure an even and intensive all-over tan.





Backstage.

X<sub>10</sub>









X<sub>10</sub>

## Safe & easy.

Backstage is where a top-class product will show its true self. High-quality day-to-day performance is more than just looking good. Cleaning, maintenance, the exchanging of tubes and filters - all necessary actions from time to time - should be carried out quickly and easily. Naturally, safety and accessibility are top priority with the Luxura X<sub>10</sub>.

When the concept of the X<sub>10</sub> was developed, not only its looks were important, but a lot more besides.

The accessibility and convenient arrangement of the technical components of the X<sub>10</sub> present a surveyable picture of the tanning tunnel.

Whether the acrylic sheets in the reclining surface and the canopy are concerned, or the filter from the facials - they're all easily removed by means of a high-quality hinged system and safe quick-locking mechanism.





# X<sub>10</sub>

## Intelligent air.

Body cooling and temperature control received special attention while the Luxura X<sub>10</sub> was being developed. This way, individual settings may be selected for each studio, resulting in optimum and energy-saving adjustment within a cabin or studio room.

Climax, the airconditioning system, includes the so called smart tools. With this tools the thermostat can be set on a minimum temperature on which the airconditioning reacts. CliMax also has the possibility to be set to four intensities.

Three versions of air extraction are available. In the compact version, air is extracted from a central point at the back of the sunbed, where it is conveyed to the back or upward. Version 2 is embellished by means of an attractive plastic screen called the Air Tower.

Version 3 is called the WRS. This intelligent warm air recovery system in combination with the Air Tower is operated manually or by thermostat. The status of the WRS can be monitored at any time by means of the indicator mounted on the Air Tower.



Compact



WRS-Indicator



Thermostat



with Airtower



Crystal White



Arctic Blue



Pearl White

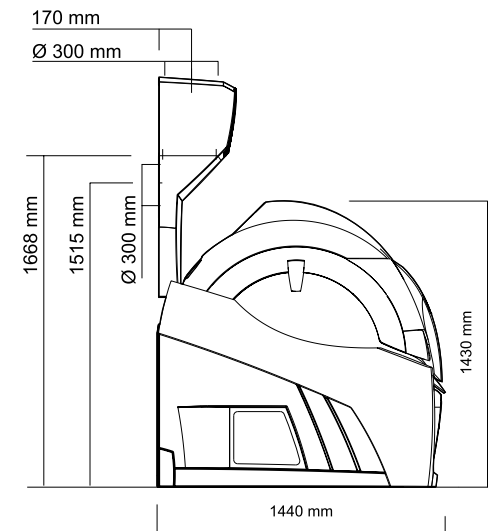
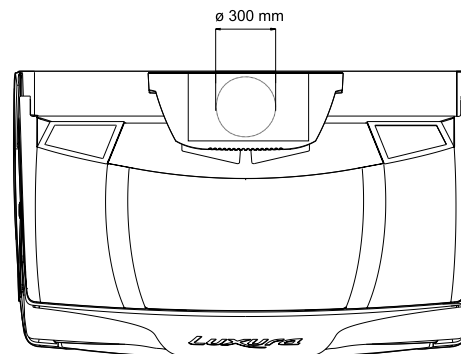
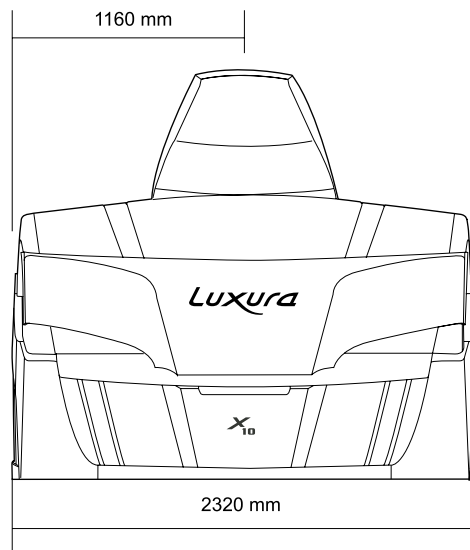


# Measurements, data, compositions

The technical components are conveniently arranged. Any expansions or updates are easily realised to meet future requirements.



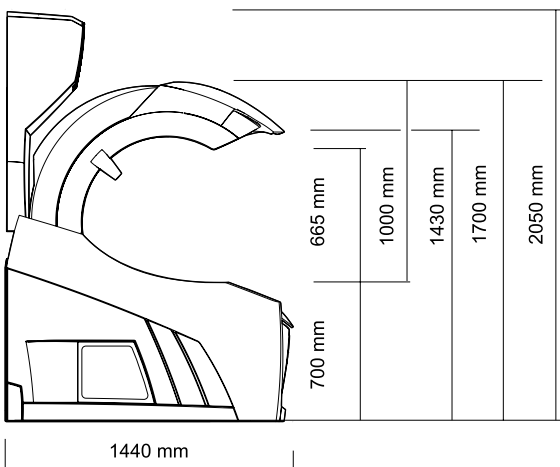
Depending on the particular installation, this recess can be removed. This way, the X<sub>10</sub> will stand flushly against the wall, in spite of any skirting board, cable ducts, etc.





○ = Optional ● = As standard

Specifications are subject to change without notice.



	46 SLi	46 SLi Intensive	46 SLi High Intensive	52 SLi	52 SLi Intensive	52 SLi High Intensive
Surface	Metallic	Metallic	Metallic	Metallic	Metallic	Metallic
Stand-by ambiance lighting exterior (DecoLight)	●	●	●	●	●	●
Stand-by ambiance lighting interior (DecoLight)	●	●	●	●	●	●
Tubes top	26 x 100 W	26 x 160 W	26 x 160 W	30 x 100 W	30 x 160 W	30 x 160 W
Tubes base	20 x 120 W	20 x 120 W	20 x 180 W	22 x 120 W	22 x 120 W	22 x 180 W
XL Light*	●	●	●	●	●	●
Face tanner	4 x 520 W	4 x 520 W	4 x 520 W	4 x 520 W	4 x 520 W	4 x 520 W
SLi +	○	○	○	●	●	●
HPS	○	○	○	○	○	○
8 steps adjustable body cooler	●	●	●	●	●	●
8 steps adjustable face cooler	●	●	●	●	●	●
Qsens	○	○	○	○	○	○
Xsens	○	○	○	○	○	○
CliMax	○	○	○	○	○	○
Loudspeakers**	○	○	○	○	○	○
Volume adjustment through display	○	○	○	○	○	○
SmartVoice***	○	○	○	○	○	○
SoundAround including My Mp3	○	○	○	○	○	○
4 music channels	○	○	○	○	○	○
Music channel adjustment through display	○	○	○	○	○	○
ContourPlus	●	●	●	●	●	●
LCD Timer-Display	●	●	●	●	●	●
Programmable internal timer	●	●	●	●	●	●
Connection for external timer	●	●	●	●	●	●
Resetable hourcounter	●	●	●	●	●	●
Non-resetable hourcounter	●	●	●	●	●	●
Quickstart	●	●	●	●	●	●
Dust filters	●	●	●	●	●	●
EasyLift Acrylic system	●	●	●	●	●	●
Air outlet	1 x Ø 300 mm	1 x Ø 300 mm	1 x Ø 300 mm	1 x Ø 300 mm	1 x Ø 300 mm	1 x Ø 300 mm
Air outlet capacity	2800 m <sup>3</sup>	2800 m <sup>3</sup>	2800 m <sup>3</sup>	2800 m <sup>3</sup>	2800 m <sup>3</sup>	2800 m <sup>3</sup>
Connection	400 V - 50 Hz 3~N/PE	400 V - 50 Hz 3~N/PE	400 V - 50 Hz 3~N/PE	400 V - 50 Hz 3~N/PE	400 V - 50 Hz 3~N/PE	400 V - 50 Hz 3~N/PE
Power (with CliMax)	9,73 kW	10,99 kW	12,37 kW	11,59 kW	13,62 kW	15,63 kW
Fuses	3 x 20A	3 x 20A	3 x 25A	3 x 20A	3 x 25A	3 x 25A
Weight (excl. Packaging) (with Climax + ca. 50 kg)	ca. 440 kg	ca. 450 kg	ca. 460 kg	ca. 460 kg	ca. 470 kg	ca. 480 kg

\* 2 metre tubes technology \*\* in combination with SoundAround \*\*\* only in combination with SoundAround





[www.hapro.com](http://www.hapro.com)